

A photograph of an industrial interior, likely a warehouse or factory, featuring a complex network of metal trusses and beams. Several high bay pendant lights are suspended from the ceiling. The lighting is a mix of natural light from skylights and artificial light from the pendant fixtures. A large red diagonal graphic element cuts across the lower half of the image.

HIGH BAY LUMINAIRES

 AimLite

YOUR TRUSTED PARTNER

ABOUT US

Our ISO/IEC 17025 certified laboratory is qualified by CSA International under the CPC (Certification by Category) program which allows us to conduct safety and performance evaluations and to perform over 100 different tests on our products. This allows AimLite to certify new custom products quickly and launch to the market.

AimLite's target is to maintain and improve its quality through programs that enable employees to do their job right the first time and use the best suppliers that share these same values.

Our team consists of some of the most knowledgeable and recognizable people in the Canadian emergency and lighting industry.

NEW PRODUCT DEVELOPMENT

Our engineering and marketing team is composed of specialists ranging from a variety of technical backgrounds which allows us to develop a multitude of new products to meet today's market needs and requirements. Our focus is to design innovative products at a competitive price to set ourselves ahead of our competition while maintaining industry standards such as long life and energy efficiency.

CUSTOMER SATISFACTION

Customer satisfaction is the company's main priority: we want to be our customers' preferred supplier.

Our customer service department is comprised of highly trained, knowledgeable and bilingual sales representatives whose only goal is to meet the needs of the customers. Sales staffs are continuously trained to keep them abreast of the latest lighting trends, technologies and developments so they may actively serve customers, resolve issues, initiate changes, and teach co-workers.

Our technicians have extensive academic and practical experience with degrees in engineering and administration, allowing us to offer technical support in the retail, distribution and manufacturing sectors.

AimLite's management is dedicated to its customers, employees and safety.






INTRODUCTION

AimLite offers a large range of high bay LED luminaires suited for commercial and industrial applications. Our round and linear high bays are made with different materials and specifications to suit every application. Our continuous improvements and innovations has allowed us to introduce safe and high technology products with low maintenance cost. All our luminaires are tested to ensure performance in high temperature, guarantying a long life LED and high profitability.




TABLE OF CONTENTS



ROUND LED HIGH BAY

HBRV		QUICKSHIP	06
R21H-L		QUICKSHIP	10
R19H-L		QUICKSHIP	14

LINEAR LED HIGH BAY

E5H GEN. 2		QUICKSHIP	18
E5H GEN. 1		QUICKSHIP	22
HBBF-L		MADE TO ORDER	26



ROUND LED HIGH BAY



HBRV REFINED ROUND ECONOMIC AND HIGH PERFORMING LUMINAIRE

3 CCT AND POWER SELECTABLE FEATURES

An economical and energy efficient LED High Bay series with a simple, yet refined design. This type of luminaire is ideal for any application such as warehouses, manufacturing facilities, sports arenas, and other large high ceiling indoor applications. The IP65 rating allows this fixture to be installed where dust and water spray may be present. Meets NEMA 4X and NSF.



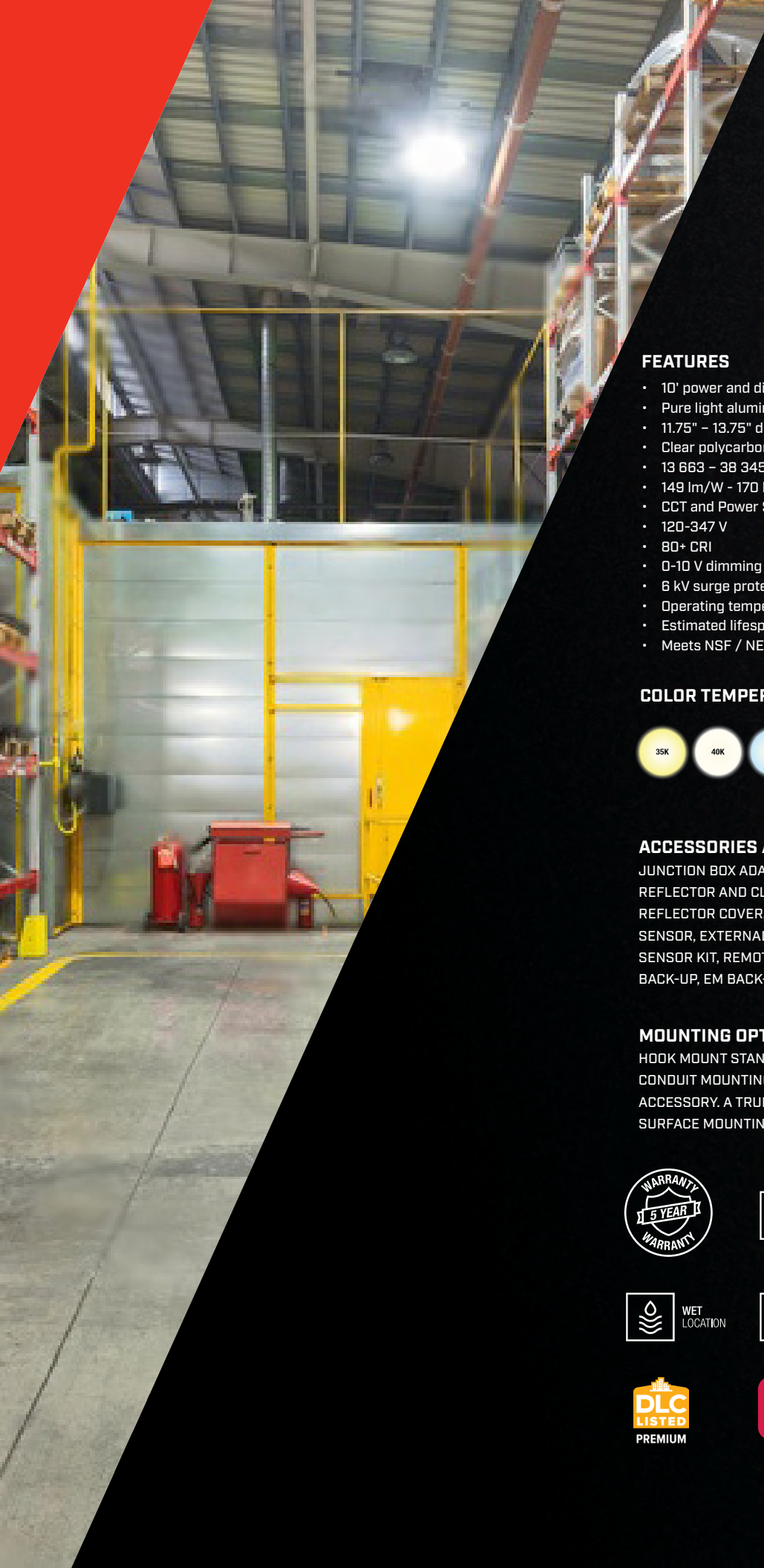
HBRV-PS150-32/3C-B AND
HBRV-PS180-32/3C-B



HBRV-PS150-32/3C-W



HBRV-PS240-32/3C-B



FEATURES

- 10' power and dimming cables included with all configurations
- Pure light aluminum housing
- 11.75" - 13.75" diameter
- Clear polycarbonate lens over LEDs
- 13 663 - 38 345 lm
- 149 lm/W - 170 lm/W
- CCT and Power Selectable
- 120-347 V
- 80+ CRI
- 0-10 V dimming driver (dimming cables included with this luminaire)
- 6 kV surge protection
- Operating temperature: -40°C to +50°C
- Estimated lifespan of over 100 000 hours to L70
- Meets NSF / NEMA 4X

COLOR TEMPERATURES



FIXTURE COLOR

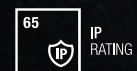


ACCESSORIES AND OPTIONS

JUNCTION BOX ADAPTER, 120° BEAM ANGLE LENS, TRUNNION, ALUMINUM REFLECTOR AND CLEAR POLYCARBONATE REFLECTOR, POLYCARBONATE REFLECTOR COVER, WIREGUARDS, EXTERNAL BLUETOOTH MESH PIR SENSOR, EXTERNAL HIGH FREQUENCY SENSOR KIT, EXTERNAL PIR SENSOR KIT, REMOTE CONTROL FOR MOTION SENSORS, EMERGENCY BACK-UP, EM BACK-UP REMOTE CONTROL

MOUNTING OPTIONS

HOOK MOUNT STANDARD. THE HOOK IS REMOVABLE FOR 1/2' NPT CONDUIT MOUNTING. FOR ADDITIONAL SECURITY, USE THE SAFETY CABLE ACCESSORY. A TRUNNION (± 90°) IS ALSO AVAILABLE FOR YOKE BRACKET SURFACE MOUNTING

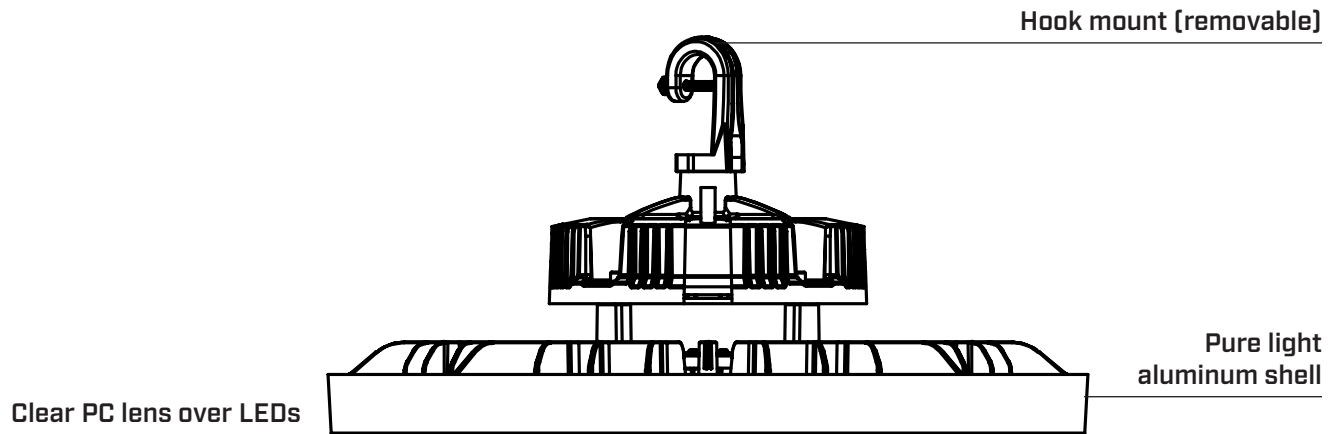




HBRV

ROUND ECONOMIC AND HIGH PERFORMING LUMINAIRE

3 CCT AND POWER SELECTABLE FEATURES



ACCESSORIES (SOLD SEPARATELY)



1/2 NPT male to 3/4 NPT female conduit adapter



Junction Box (Black or White)



Trunnion (Black or White)



120° Beam Angle Lens
Change the standard 90° angle to 120°
See photometric data for more details



10' stainless steel safety cable



Aluminium reflector



PC reflector and PC reflector cover



1-pin plug & play sensors
(PIR, High Frequency & Bluetooth Mesh PIR)

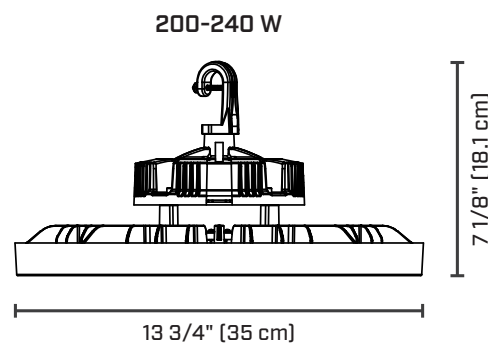
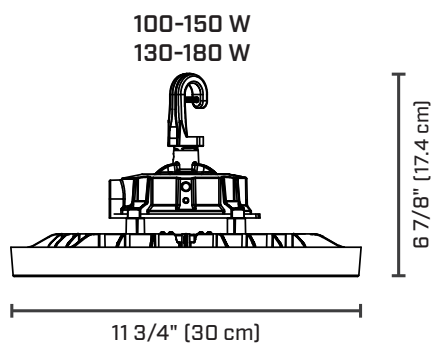


Stainless steel wireguards



External Rugby emergency back-up

DIMENSIONS



ROUND LED HIGH BAY



R21H-L ROUND ECONOMIC AND HIGH PERFORMING LUMINAIRE

**CCT AND POWER SELECTABLE
INTEGRATED SENSOR**

Our economic series of LED High Bays are an energy efficient solution with a simple design. This type of luminaire is ideal for any application such as warehouses, manufacturing facilities, sports arenas, and other large high ceiling indoor applications. The IP65 rating allows this fixture to be installed where dust and water spray may be present. Meets NEMA 4X and NSF.

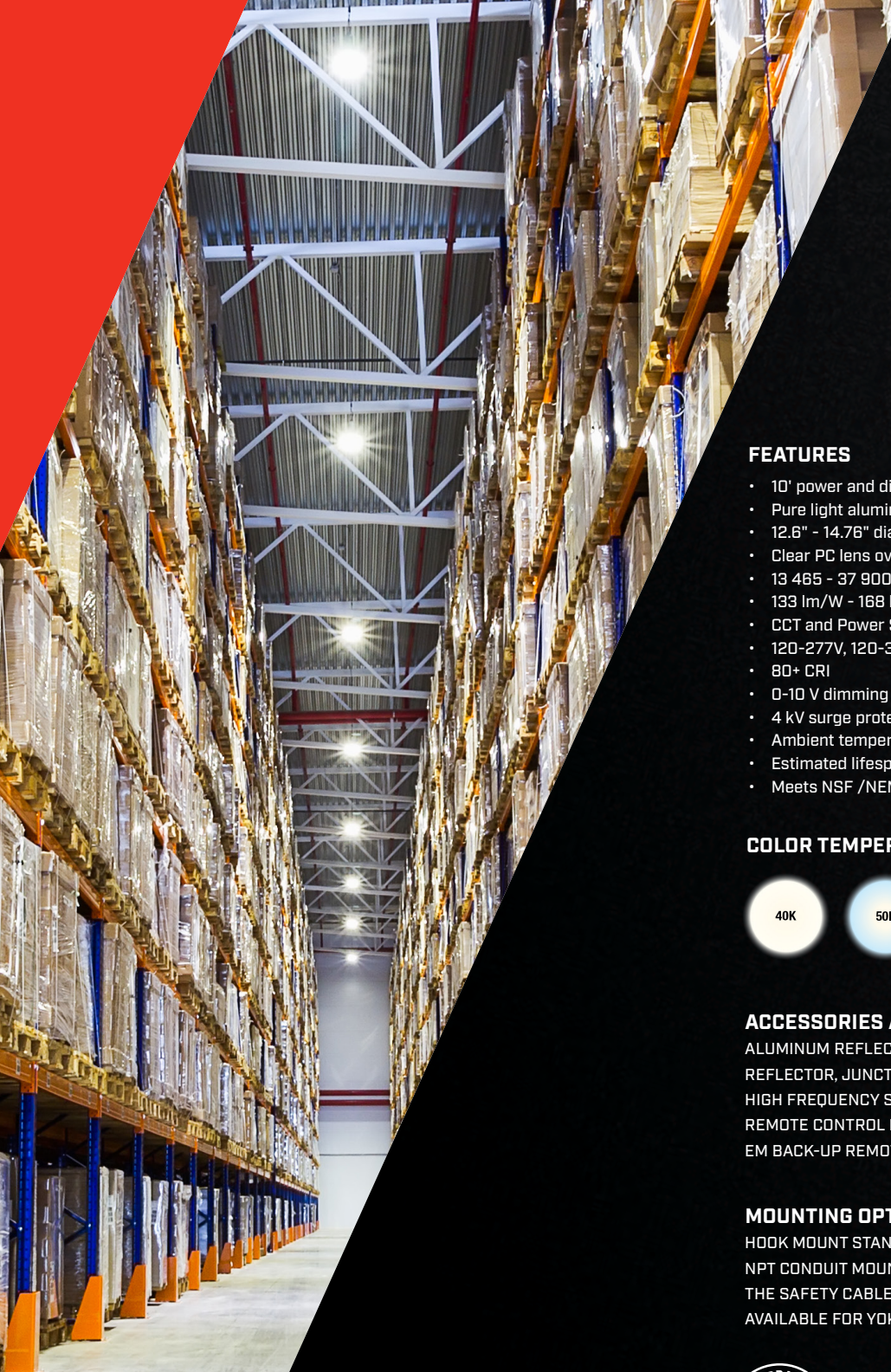


100-150 W



200-240 W





FEATURES

- 10' power and dimming cables included with all configurations
- Pure light aluminum housing
- 12.6" - 14.76" diameter
- Clear PC lens over LEDs
- 13 465 - 37 900 lm
- 133 lm/W - 168 lm/W
- CCT and Power Selectable
- 120-277V, 120-347 V
- 80+ CRI
- 0-10 V dimming standard
- 4 kV surge protection
- Ambient temperature from -40°C to +50°C
- Estimated lifespan of over 54 000 hours to L70
- Meets NSF /NEMA 4X

COLOR TEMPERATURES



CCT
SELECTABLE
4 000/5 000 K

FIXTURE COLOR



BLACK

ACCESSORIES AND OPTIONS

ALUMINUM REFLECTOR AND CLEAR POLYCARBONATE REFLECTOR, JUNCTION BOX ADAPTER, TRUNNION, EXTERNAL HIGH FREQUENCY SENSOR KIT, EXTERNAL PIR SENSOR KIT, REMOTE CONTROL FOR MOTION SENSORS, EMERGENCY BACK-UP, EM BACK-UP REMOTE CONTROL

MOUNTING OPTIONS

HOOK MOUNT STANDARD. THE HOOK IS REMOVABLE FOR 1/2" NPT CONDUIT MOUNTING. FOR ADDITIONAL SECURITY, USE THE SAFETY CABLE ACCESSORY. A TRUNNION ($\pm 90^\circ$) IS ALSO AVAILABLE FOR YOKE BRACKET SURFACE MOUNTING.



LED



W*
POWER
SELECTABLE



QUICKSHIP



WET
LOCATION



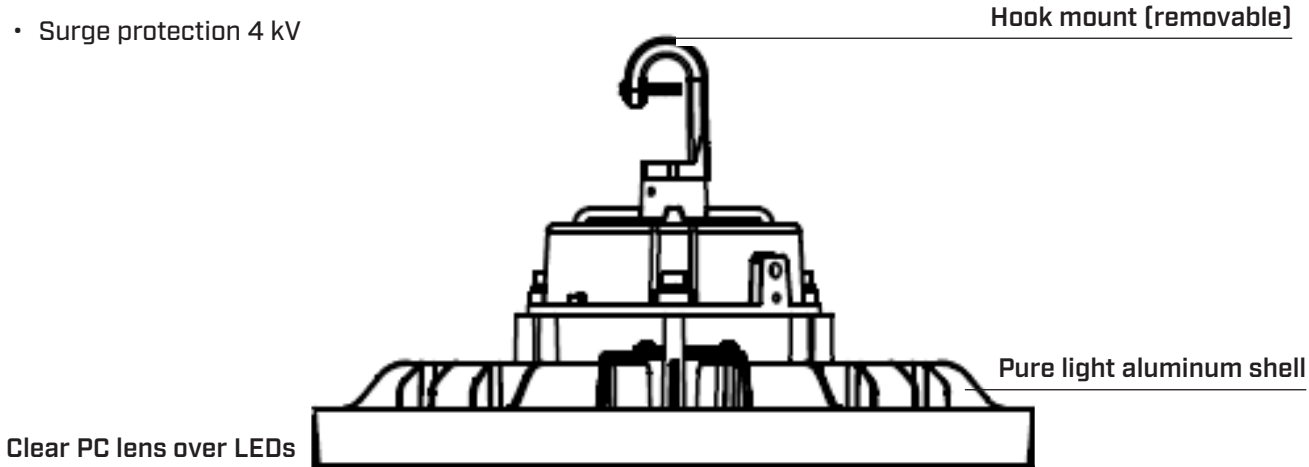
DIMMABLE





ANATOMY OF THE FIXTURE

- 10' power and dimming cables included with all configurations
- Rated IP65 to prevent it from dust, wet or damp factors
- Surge protection 4 kV



AVAILABLE REFLECTORS

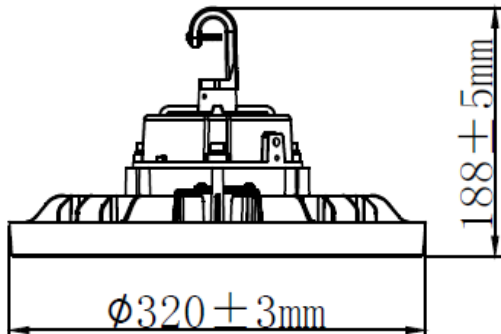
CLEAR PC REFLECTOR

ALUMINUM REFLECTOR

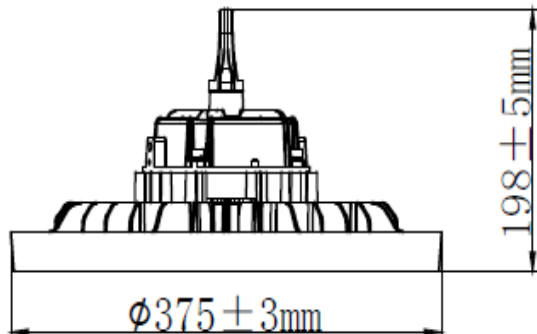


DIMENSIONS

100-150 W



200-240 W



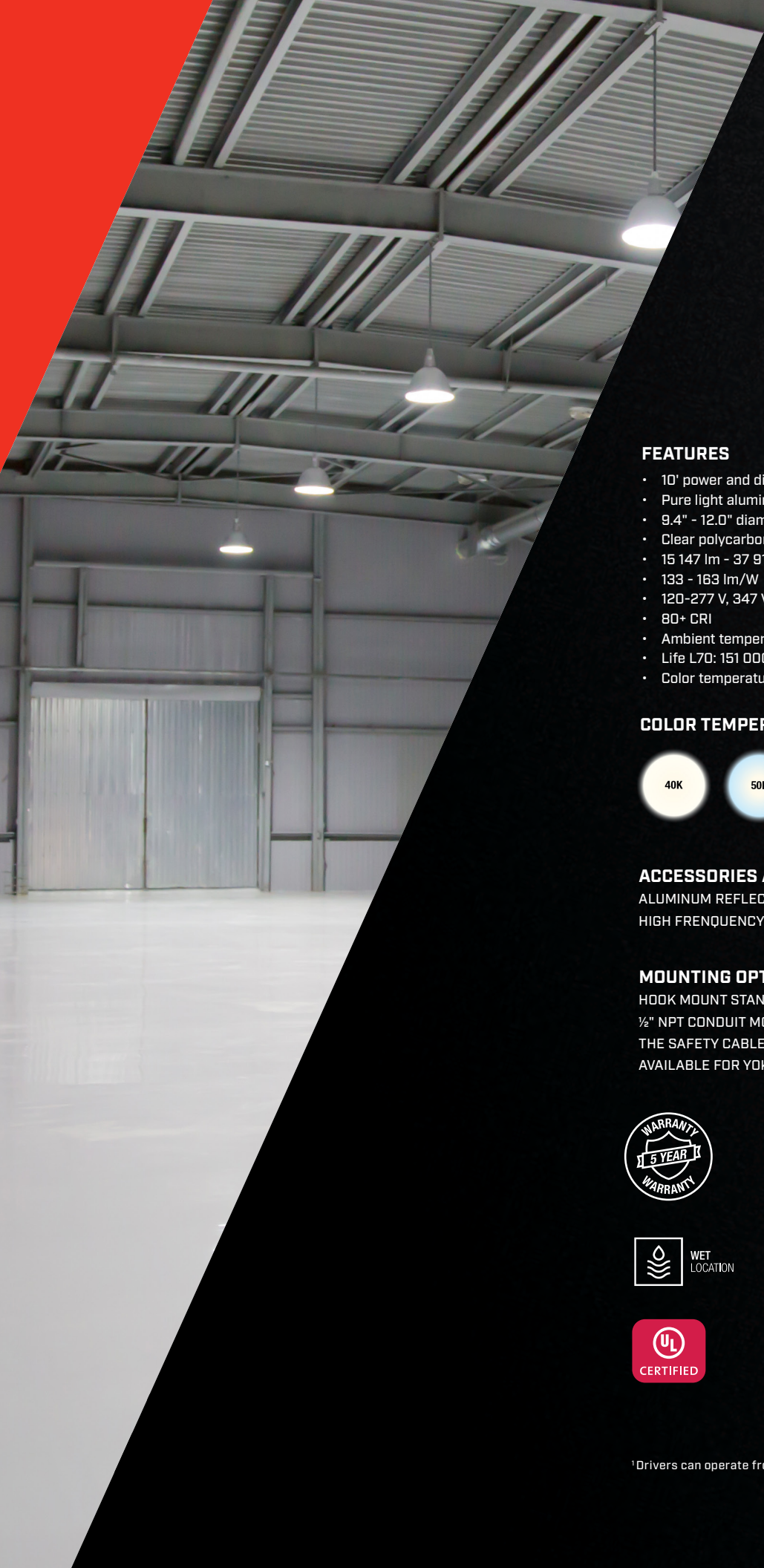
ROUND LED HIGH BAY



R19H-L ROUND ECONOMIC AND HIGH PERFORMING LUMINAIRE

Our economic series of LED High Bays are an energy efficient solution with a simple design. This type of luminaire is ideal for any application such as stockrooms, manufacturing, sports arenas, and other large high ceiling indoor applications. The IP65 rating allows this fixture to be installed where dust and water spray may be present.





FEATURES

- 10' power and dimming cables included with all configurations
- Pure light aluminum shell
- 9.4" - 12.0" diameter
- Clear polycarbonate lens over LEDs
- 15 147 lm - 37 911 lm
- 133 - 163 lm/W
- 120-277 V, 347 V¹
- 80+ CRI
- Ambient temperature: -40°C to +45°C
- Life L70: 151 000 hours
- Color temperatures: 4 000 K, 5 000 K

COLOR TEMPERATURES



40K



50K



BLACK

FIXTURE COLOR

ACCESSORIES AND OPTIONS

ALUMINUM REFLECTOR, CLEAR POLYCARBONATE REFLECTOR, HIGH FREQUENCY SENSOR, TRUNNION ($\pm 90^\circ$), SAFETY CABLE.

MOUNTING OPTIONS

HOOK MOUNT STANDARD. THE HOOK IS REMOVABLE FOR $\frac{1}{2}$ " NPT CONDUIT MOUNTING. FOR ADDITIONAL SECURITY, USE THE SAFETY CABLE ACCESSORY. A TRUNNION ($\pm 90^\circ$) IS ALSO AVAILABLE FOR YOKE BRACKET SURFACE MOUNTING.



5 YEAR WARRANTY



LED



QUICKSHIP



WET LOCATION



65 IP RATING



ICES 005



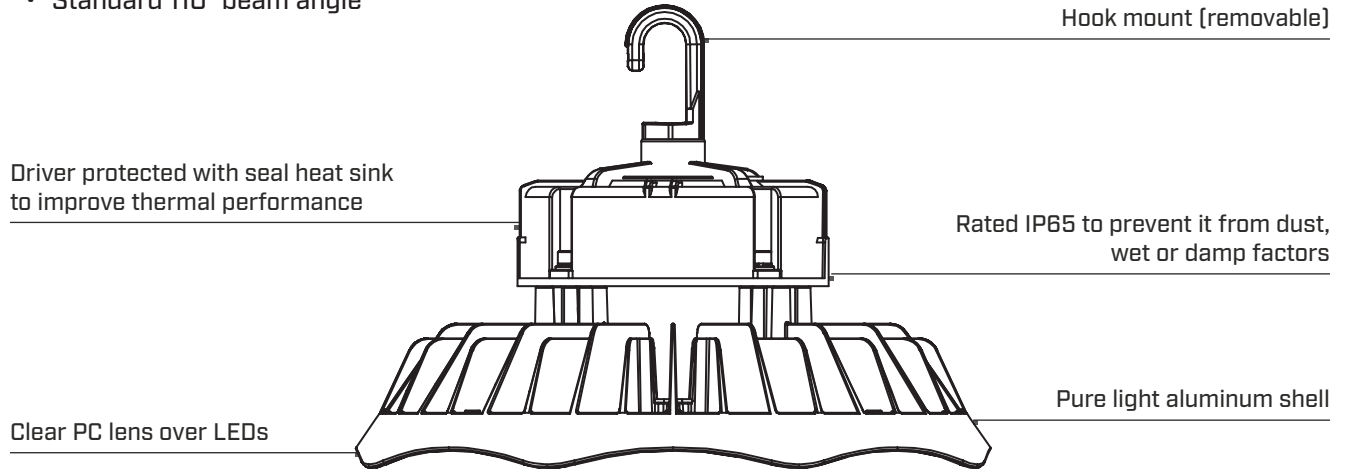
CERTIFIED

¹Drivers can operate from 277V to 480V



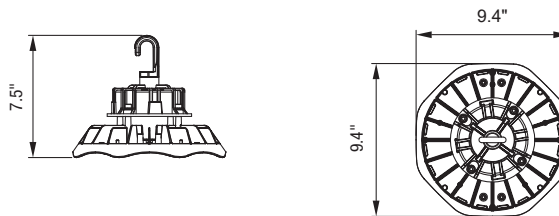
ANATOMY OF THE FIXTURE

- 10' power and dimming cables included with all configurations
- Standard 110° beam angle

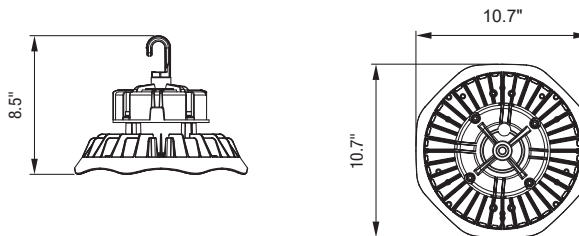


DIMENSIONS

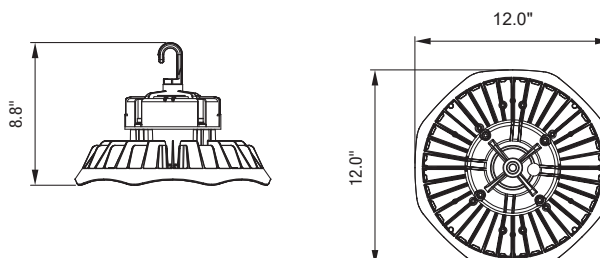
S1 - 120-277 V & 347 V



S2-S3 - 120-277 V & 347 V



S4 - 120-277 V & 347 V





E5H GEN. 2 ECONOMICAL AND HIGH- PERFORMING LED LINEAR HIGH BAY LUMINAIRE

**3 CCT AND 3 POWER SELECTABLE FEATURES WITH
SENSOR RECEPTACLE**

AimLite's economic E5H Linear High Bay with integrated receptacle for smart and non smart sensors, is ideally suited for high ceiling warehouses as well as arenas where uniform and efficient lighting is required.



24"



48"

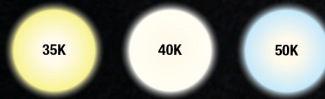




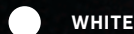
FEATURES

- White powder coated 22 gauge slim, lightweight steel housing
- Frosted polycarbonate lens
- 6' power cord and dimming cables included with all configurations
- 0-10 V dimming driver
- 12 800 - 100 000 lm
- up to 170 lm/W
- 120-347 V
- 80+ CRI
- 6 kV surge protection
- Operating temperature: From -20°C [-4°F] and up to 65°C [149°F] on certain wattages. Consult Lumen and Operating Temperature Specification Table for more details
- Estimated lifespan of over 54 000 hours to L70

COLOR TEMPERATURES



FIXTURE COLOR



WHITE

ACCESSORIES AND OPTIONS

V-Hooks, Chain Kits, Surface mount bracket, Conduit mount kit, Wireguards, External Bluetooth Mesh PIR sensor, External high frequency sensor kit, External PIR sensor kit, Remote control RM51 for motion sensors

MOUNTING OPTIONS

• Surface, suspended or pendant. Set of 2 V-Hooks and chains are provided with all configurations. Other mounting options are available, please consult accessory table.



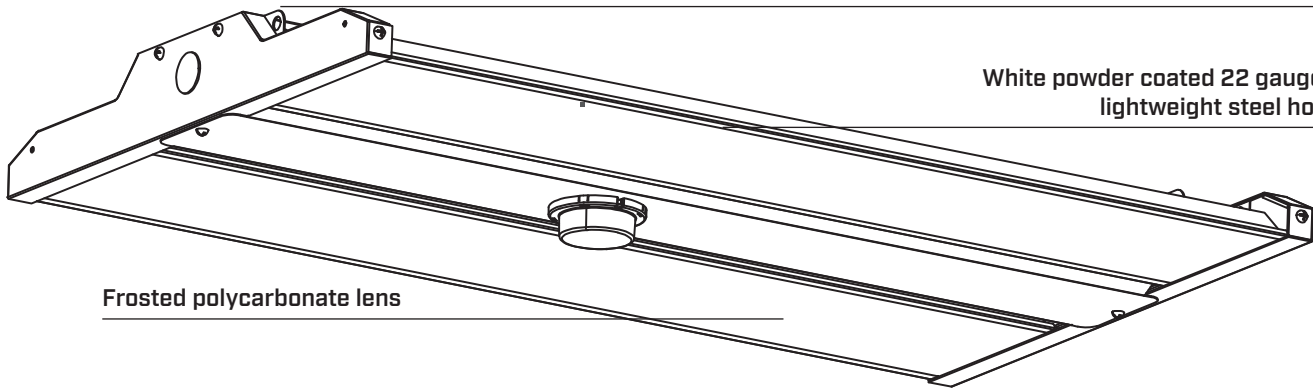


ANATOMY OF THE FIXTURE

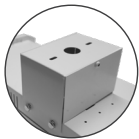
- 6' power cord and dimming cables included with all configurations
- Surge protection 6 kV

Well ventilated driver compartment for optimal thermal management.

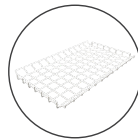
White powder coated 22 gauge slim, lightweight steel housing.



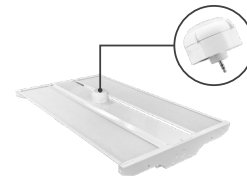
ACCESSORIES (sold separately)



Conduit mount kit

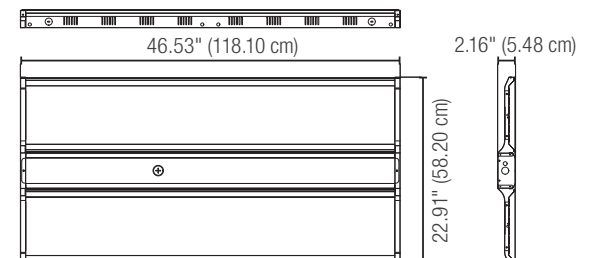
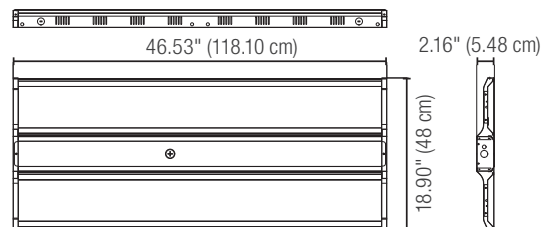
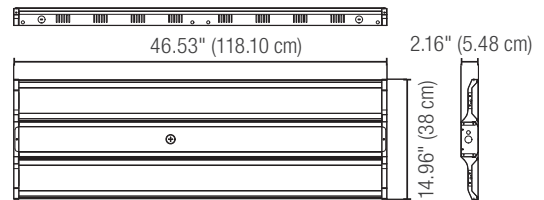
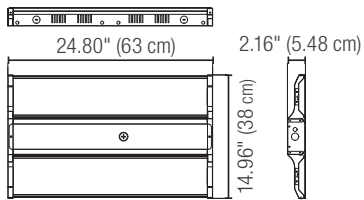


Wireguards



1-pin plug & play sensors
[PIR, High Frequency & Bluetooth Mesh PIR]

DIMENSIONS





E5H GEN. 1

ECONO LED LINEAR

HIGH BAY LUMINAIRE

MULTI-VOLTAGE (120-347 V)

Aimlite's economic E5H Linear High Bay with optional integrated sensor, is ideally suited for high ceiling warehouses as well as arenas where uniform and efficient lighting is required.



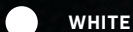
FEATURES

- White powder coated 22 gauge slim, lightweight steel housing.
- Well ventilated driver compartment for optimal thermal management.
- Frosted PMMA lens over LEDs provides a diffused light distribution.
- 6' power and dimming cables included with all configurations
- 11 475 - 54 000 lm
- 135 lm/W
- 120-347 V
- 80+ CRI
- 2.0 kV surge protection
- Ambient temperature from -20°C to +50°C
- Estimated lifespan of over 54 000 hours to L70
- 0-10V dimming driver. Dimming cables sold separately

COLOR TEMPERATURES



FIXTURE COLOR



WHITE

ACCESSORIES AND OPTIONS

V-Hooks, Chain Kits, Surface mount bracket, Conduit mount kit, Wireguard, External high frequency sensor kit, External PIR sensor kit, Remote control RM51 for motion sensors

MOUNTING OPTIONS

- Surface, suspended or pendant
- Set of 2 V-Hooks and chains are provided with all configurations. Other mounting options are available, please consult accessory table.



QUICKSHIP



LED



DAMP
LOCATION



ICES
005



DLC
LISTED
PREMIUM

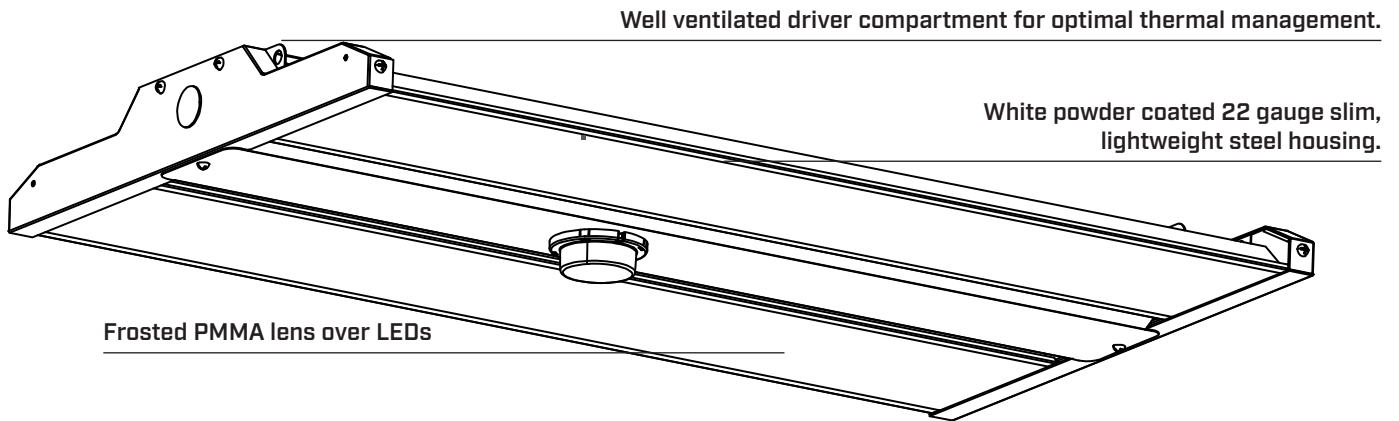


UL
CERTIFIED

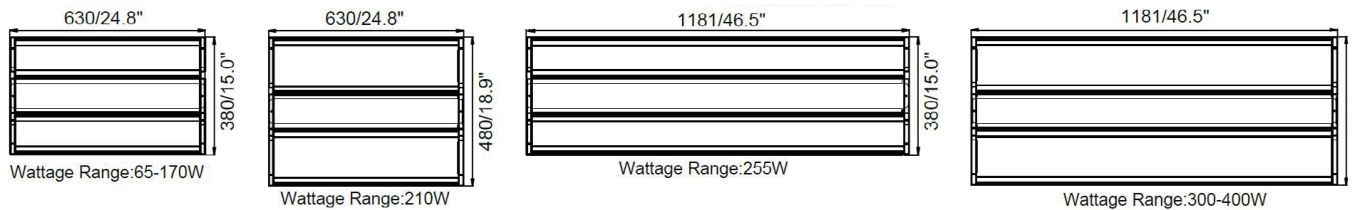


ANATOMY OF THE FIXTURE

- 6' power and dimming cables included with all configurations
- Surge protection 2 kV



DIMENSIONS



LINEAR HIGH BAYS



HBBF-L LINEAR HIGH BAY

The HBBF-L is a high bay ideal for extensive high ceiling applications as it provides uniform lighting with 140lm/W high efficacy. This made to order fixture is available in 4' and it offers a variety of lenses, color temperature, occupancy sensors and more. The HBBF-L high bay is the right choice for wide range of commercial and industrial applications such as warehouses, factories, sports arenas and large stores.





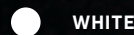
FEATURES

- Housing made with 22-gauge rolled steel with enamel powder coating
- 12 085 lm - 54 396 lm
- 126.5 lm/W - 149.9 lm/W
- 120-277 V, 347 V
- 80+ CRI
- Ambient temperature -40°C to +55°C
- Estimated lifespan of over 60 000 hours to L70

COLOR TEMPERATURES



FIXTURE COLOR



WHITE

ACCESSORIES AND OPTIONS

Wireguard, PIR and high frequency occupancy sensors, frosted and clear prismatic lens, 10 kV surge protector

MOUNTING OPTIONS

Pendant mount with hooks and aviation cables

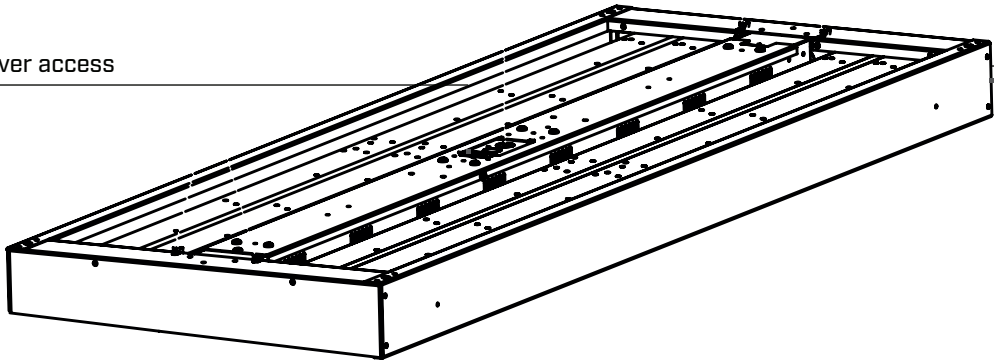




ANATOMY OF THE FIXTURE

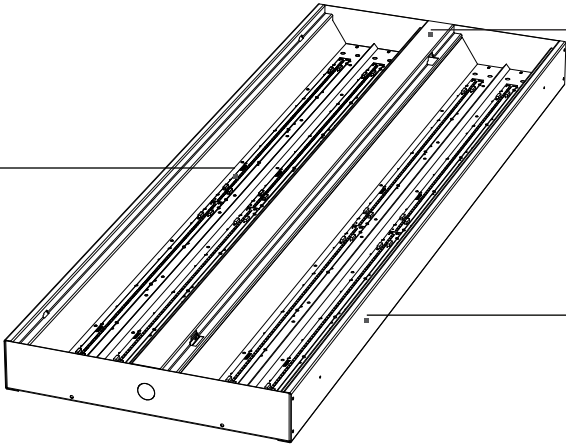
- 6' of power cable and dimming wires
- 6 lumen packages available

Easy driver access



Housing made with 22-gauge rolled steel with enamel powder coating

4 or 6 rows of high quality LED chips

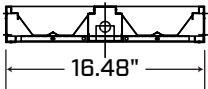


Specular reflectors with high reflectance

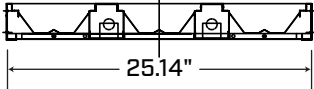
Aluminum and clear polycarbonate reflectors and wireguards available

DIMENSIONS

A1A, A2A, A3A, A4A



A5A, A6A







NOTES



AimLite

2233 rue de l'Aviation,
Dorval QC
H9P2X6, CA

T 514 227-1288
TF 1 866 348-2374
f @ y aimlite.com

2024-04-30